

TPC-DCM156C1 Specification v1.0

Key features:

- 15.6" Projective capacitive multi-point touch
- Intel Baytrail J1900 2.0Ghz, Quad-core processor
- Impact, fan-less design, Finned heat sink
- 2 * Intel GLAN, and 1* 2.5" SATA + 1* mSATA
- Operating temperature range, support 0°C~+60 °C
- Wide voltage design, support 9~24V
- Optional No-touch function, with Glass

Brief Introduction

TAICENN TPC-DCM156C1 series is a low power-consumption, Fan-less designed, enhanced stability and reliability industrial 15.6-inch Touch Panel PC product. It adapts Intel Bay trail J1900 processor. TPC-DCM156C1 series storage can support 2.5" SATA and mSATA interface, HDD or SSD. The design uses a multi-point (10- points) projective capacitive touch screen, and it can fulfill front panel NEMA/IP65 dust-proof and water-proof standards.

The TPC-DCM156C1 uses full-sealed box construction, and it can prevent dust from entering the device system.

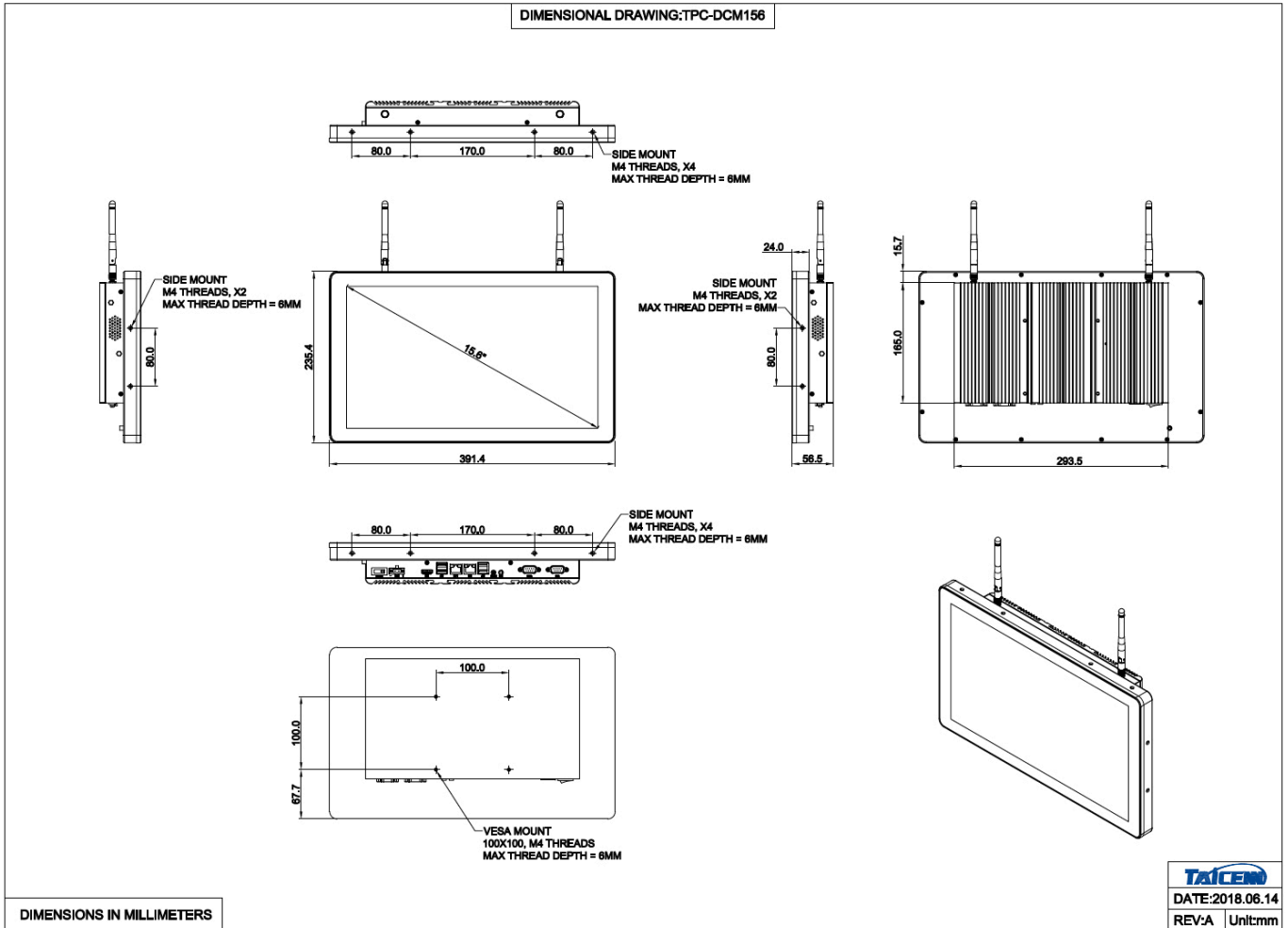
The TAICENN TPC-DCM156C1 is compatible with WIN7, Win7 embedded, WIN 8, WIN10, Linux OS, and it also has a good compatibility with customized applications and software programs.

Technical Data

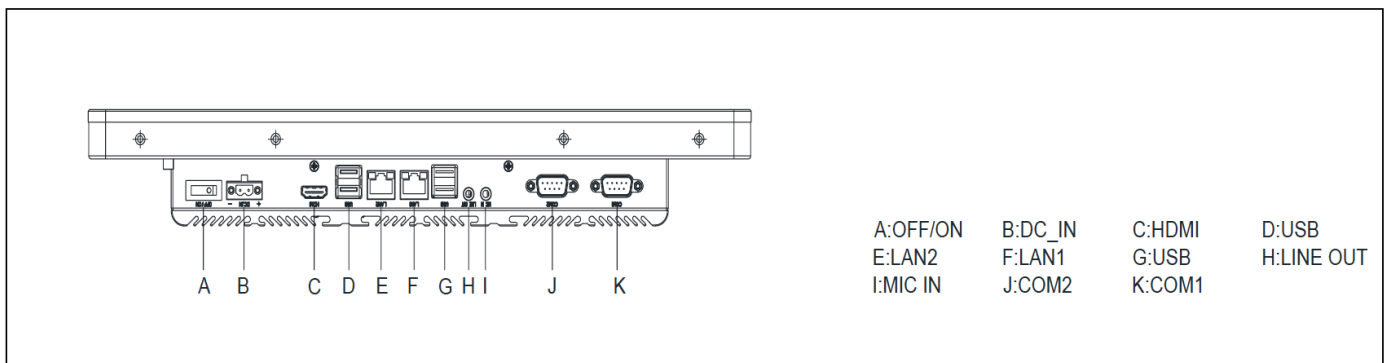
System	
BIOS	SPI AMI EFI BIOS
CPU	Intel Baytrail J1900
CPU Ghz	Quad-core Four threads, 2.0Ghz
Memory	DDR3L, Max. up to 8GB
Storage	1* 2.5" SATA + 1* mSATA
Display	Support 1*HDMI output
Watch dog	Programmable 1~255 seconds
System	WIN7, Win7 embedded, WIN 8, WIN10, Linux
I/O	
Network	2* Intel I211AT
USB	3* USB 2.0 + 1* USB 3.0
COM	2* RS232 (Surge and electrostatic protection)

Audio	Realtek ACL 282 Audio controller
Speaker	Optional 2x 2W
Expansion	WIFI/3G/4G (1* Mini-PCie slot)
Others	DC IN, trigger button, Indicator light, antenna interface
LCD	
Size/Type	15.6" TFT LCD
Resolution	1366 * 768
Brightness	400 (cd/m ²)
Brightness MTBF	WLED, 50 000 hours
Display area	344.232 x 193.536
Viewing angle	85/85/80/80 (Typ.)
Colors	16.2M
TOUCH	
Type	Projective capacitive (P-cap.)
Interface	USB
Transparency	>90±3%
Touch points	10 Points
Durability	>100 000 000 times
Surface hardness	Mohs 6H
Operating force	≤10g
Structure	
Front Panel	Magnesium-aluminum alloy, Anodizing treatment
Back Panel	SGCC Galvanized plate sheet, Sand-blasting
Cooling System	Finned aluminum heatsinks, fan-less design
IP rating	IP65 front panel
Mounting	Desktop, VESA
Product Dimension	391.4 x 235.4 x 56.5 (mm)
Net weight	5KG
Power and Environmental	
Voltage Input	DC 9~24V (Over-current, Over-voltage and reverse polarity protection)
Power Consumption	About 20W
Working temperature	0°C~+60 °C
Storage temperature	-20°C~+60 °C
Relative humidity	10~95%@10°C (No condensation)
Vibration	50~500Hz, 1.5G, 0.15mm peak to peak
Shock	10G/peak (11ms sec)

Dimension



Interface



Image



Ordering Information

TPC-DCM156C1	15.6"/1366*768/ P-cap. Touch/ J1900/2*GLAN/ 2*RS232/ 4* USB/DC 12V Adapter
Memory	SO-DDR3L: 2G/4G/8G
Storage	SSD: 32GB/64GB/128GB/256GB/512GB/1TB
WiFi	IEEE 802.11n 150Mbps
3G/4G	All network 3G/4G Module
Speaker	2*2w speaker
Bracket	VESA bracket

TAICENN Technology

TAICENN, is a leading global **solution provider** of Embedded Box IPC, Touch panel IPC and industrial monitor, which are designed specifically for systems and applications that require excellent performance, high-level reliability and stability, long supply period and supports.

*The information in this specification is subject to change without notice
All parts of TAICENN Technology documentation are protected by copyright law and all rights are reserved. This documentation may not, in whole or in part, be copied, photocopied, reproduced, translated, or reduced to any electronic medium or machine-readable form without prior consent, in writing, from TAICENN Technology.*