

# TAICENN

## TPC-PC121S

12.1" Intel Skylake I3-6100U/I5-6200U/I7-6500U P-CAP touch Panel mounting Panel PC

### Specification

Version 2.0

#### Key features:

- 12.1" Projective capacitive multi-point touch;
- Intel Skylake I3-6100U/I5-6200U/I7-6500U processor;
- Impact, fan-less design, Finned heat sink;
- 2 \* Intel GLAN, and 1\* 2.5" SATA + 1\* mSATA;
- Wide-temp range, support -20°C~+70 °C ;
- **Optional** precision high-temp. Five wires Resistive touch;
- **Optional** No-touch function, with Glass.

#### Product Image



## Brief Introduction

TAICENN TPC-PC121S series is a high performance, Fan-less designed, enhanced stability and reliability industrial 12.1-inch Touch Panel PC product. It adapts Intel Skylake I3-6100U/I5-6200U/I7-6500U processor. TPC-PC121S series storage can support 2.5" SATA and mSATA interface, HDD or SSD. The design uses a multi-point (10- points) projective capacitive touch screen (Optional with high-temp. five-wires resistive touch, or no touch), and it can fulfill front panel NEMA/IP65 dust-proof and water-proof standards.

The TPC-PC121S uses full-sealed box construction, and it can prevent dust from entering the device system.

The TAICENN TPC-PC121S is compatible with Win7, Win8, Win10, Linux OS, and it also has a good compatibility with customized applications and software programs.

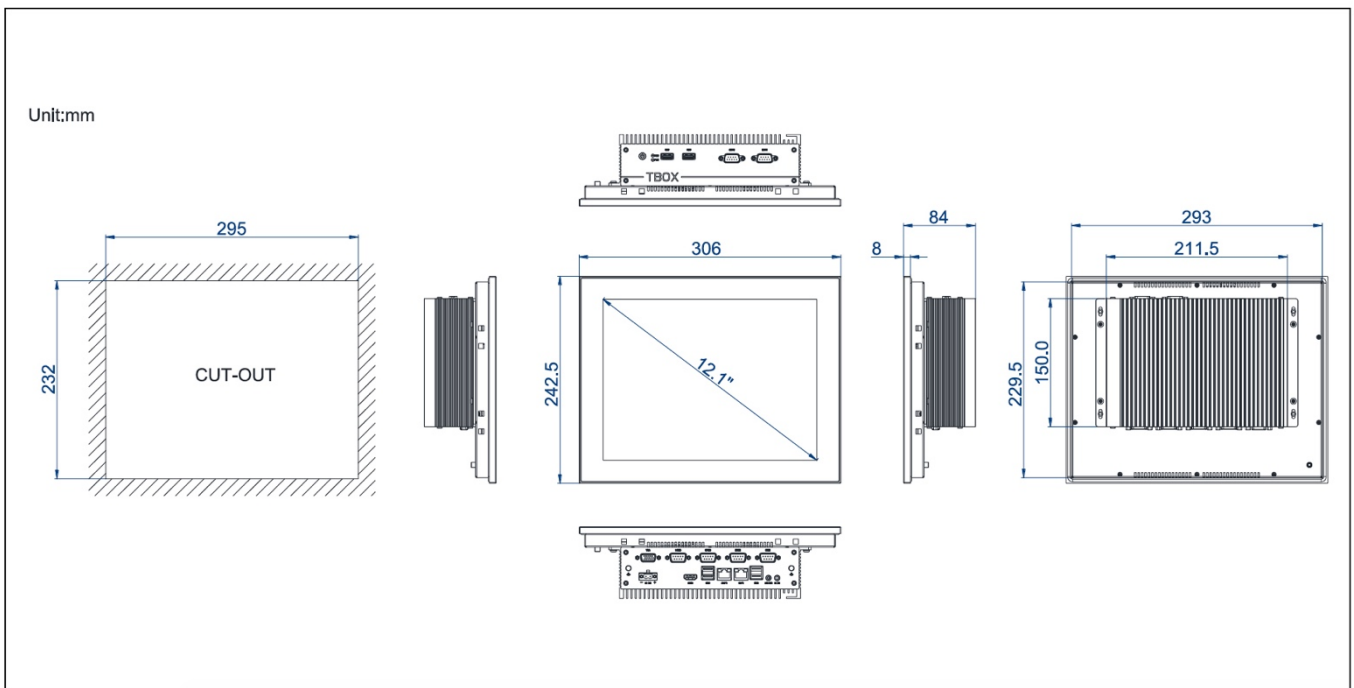
## Technical Data

Model Item	TPC-PC121S1	TPC-PC121S2	TPC-PC121S3
<b>System</b>			
BIOS	SPI AMI EFI BIOS		
CPU	Intel Core I3-6100U	Intel Core I5-6200U	Intel Core I7-6500U
CPU Ghz	Dual-core Four threads, 2.3Ghz	Dual-core Four threads, 2.3Ghz	Dual-core Four threads, 2.5Ghz
Memory	SO-DIMM, DDR4L, Max. up to 16GB		
Graphic card	Intel HD Graphics 520		
Network	2*Intel I211AT, expansion with Wifi/3G/4G		
Storage	1x 2.5" SATA + 1x mSATA		
Audio	Realtek ACL 269 controller		
Watch dog	Programmable 1~255 seconds		
Operating System	Win7, Win8, Win10, Linux OS		
<b>I/O</b>			
Network	2x RJ45, 10/100/1000 Mbps		
USB	2x USB 2.0 + 4x USB 3.0		
COM	6x RS232 (Surge and electrostatic protection) COM4/5 support RS232/RS485 COM6 support RS232/TTL		
Audio	Line-In, Line-Out		
Display	1*VGA, 1*HDMI		
Power Input	1*2 pins, phoenix terminal		
<b>LCD</b>			
Size/Type	12.1" TFT LCD		
Resolution	1024 * 768 (XGA)		

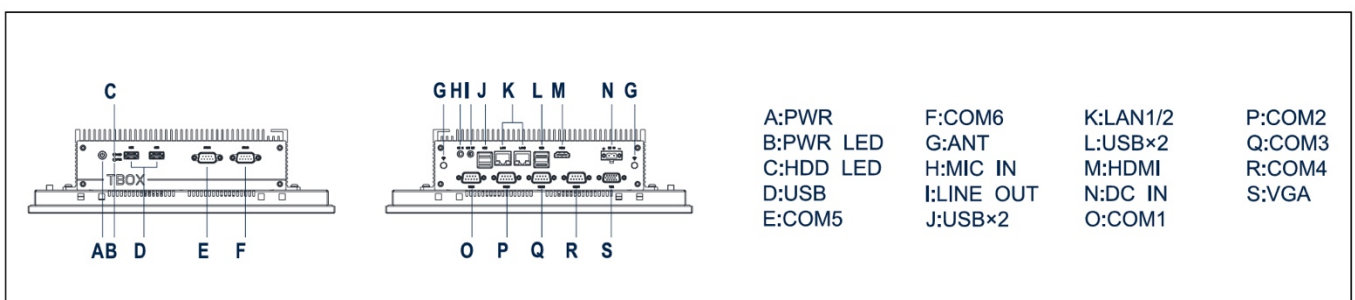
Brightness	350 (cd/m <sup>2</sup> )
Brightness MTBF	WLED, 30 000 hours
Display area	245.76 x 184.32
Viewing angle	80/80/80/80 (Typ.)
<b>TOUCH</b>	
Type	Projective capacitive (P-cap.)
Interface	USB
Transparency	>90±3%
Touch points	10 Points
Durability	>100 000 000 times
Surface hardness	Mohs 6H
Operating force	≤10g
Special treatment	Anti-fingerprint treatment (AF)
<b>Optional Resistive touch</b>	
Type	High-temp. precision 5 wires Resistive touch
Interface	USB (Optional RS232)
Transmittance	>80±3%
Resolution	4096 x 4096
Click life	250g/ 35 000 000 times
Response time	<15ms
Operating force	≤50g
Surface treatment	PET film laminated
Surface hardness	>Mohs 3H
<b>Structure</b>	
Front Panel	Magnesium-aluminum alloy, Anodizing treatment
Back Panel	SGCC Galvanized plate sheet, Sand-blasting
Cooling System	Finned aluminum heatsinks, fan-less design
IP rating	IP65 front panel
Mounting	Panel mounting, support VESA 75/100
Hole dimension	295 x 232 (mm)
Product Dimension	306 x 242 x 84 (mm)
Net weight	4KG
<b>Power and Environmental</b>	
Voltage Input	DC 12~19V (Over-current, Over-voltage and reverse polarity protection)
Power Consumption	About 35 W

Working temperature	-20°C~+70 °C
Storage temperature	-30°C~+80 °C
Relative humidity	10~95%@10°C ( No condensation )
Vibration	50~500Hz,1.5G,0.15mm peak to peak
Shock	10G/peak ( 11ms sec )

## Dimension



## I/O definition



## Ordering Information

TPC-PC121S1	12.1", 1024*768 Intel Core I3-6100U, 4*USB3.0+2*USB2.0, 6*RS232, <b>PCAP</b> touch, 2*GLAN, Power Adapter
TPC-PC121S2	12.1", 1024*768, Intel Core I5-6200U, 4*USB3.0+2*USB2.0, 6*RS232, <b>PCAP</b> touch, 2*GLAN, Power Adapter
TPC-PC121S3	12.1", 1024*768, Intel Core I7-6500U, 4*USB3.0+2*USB2.0, 6*RS232, <b>PCAP</b> touch, 2*GLAN, Power Adapter
TPC-PR121S1	12.1", 1024*768, Intel Core I3-6100U, 4*USB3.0+2*USB2.0, 6*RS232, <b>Resistive</b> touch, 2*GLAN, Power Adapter
TPC-PR121S2	12.1", 1024*768, Intel Core I5-6200U, 4*USB3.0+2*USB2.0, 6*RS232, <b>Resistive</b> touch, 2*GLAN, Power Adapter
TPC-PR121S3	12.1", 1024*768, Intel Core I7-6500U, 4*USB3.0+2*USB2.0, 6*RS232, <b>Resistive</b> touch, 2*GLAN, Power Adapter
TPC-PG121S1	12.1", 1024*768, Intel Core I3-6100U, 4*USB3.0+2*USB2.0, 6*RS232, <b>No</b> touch (glass), 2*GLAN, Power Adapter
TPC-PG121S2	12.1", 1024*768, Intel Core I5-6200U, 4*USB3.0+2*USB2.0, 6*RS232, <b>No</b> touch (glass), 2*GLAN, Power Adapter
TPC-PG121S3	12.1", 1024*768, Intel Core I7-6500U, 4*USB3.0+2*USB2.0, 6*RS232, <b>No</b> touch (glass), 2*GLAN, Power Adapter
Memory	SO-DDR4L 4G/8G/16GB
Storage	SSD: 16GB/32GB/64GB/128GB/256GB/512GB/1TB HDD: 500GB/1TB
Wireless module	WIFI: 802.11 b/g/n Mini PCIe 3G/4G/LTE: All network module
Bracket	TPC-PC Series VESA bracket

## TAICENN Technology

*TAICENN, is a leading global **solution provider** of Embedded Box IPC, Touch panel IPC and industrial monitor, which are designed specifically for systems and applications that require excellent performance, high-level reliability and stability, long supply period and supports.*

The information in this specification is subject to change without notice  
All parts of TAICENN Technology documentation are protected by copyright law and all rights are reserved. This documentation may not, in whole or in part, be copied, photocopied, reproduced, translated, or reduced to any electronic medium or machine-readable form without prior consent, in writing, from TAICENN Technology.