

TAICENN

TPC-PC190C

19.0" Intel Baytrail J1900/J1800 P-CAP touch Panel mounting Panel PC

Specification

Version 2.0

Key features:

- 19.0" Projective capacitive multi-point touch;
- Intel Baytrail J1900/J1800 processor;
- Impact, fan-less design, Finned heat sink;
- 2 * Intel GLAN, and 1* 2.5" SATA + 1* mSATA;
- **Optional** precision high-temp. Five wires Resistive touch;
- **Optional** No-touch function, with Glass.

Product Image



Brief Introduction

TAICENN TPC-PC190C series is a low power-consumption, Fan-less designed, enhanced stability and reliability industrial 19.0-inch Touch Panel PC product. It adapts Intel Baytrail J1900/J1800 processor. TPC-PC190C series storage can support 2.5" SATA and mSATA interface, HDD or SSD. The design uses a multi-point (10- points) projective capacitive touch screen (Optional with high-temp. five-wires resistive touch, or No touch), and it can fulfill front panel NEMA/IP65 dust-proof and water-proof standards.

The TPC-PC190C uses full-sealed box construction, and it can prevent dust from entering the device system.

The TAICENN TPC-PC190C is compatible with Win7, Win8, Win10, Linux, Unix OS, and it also has a good compatibility with customized applications and software programs.

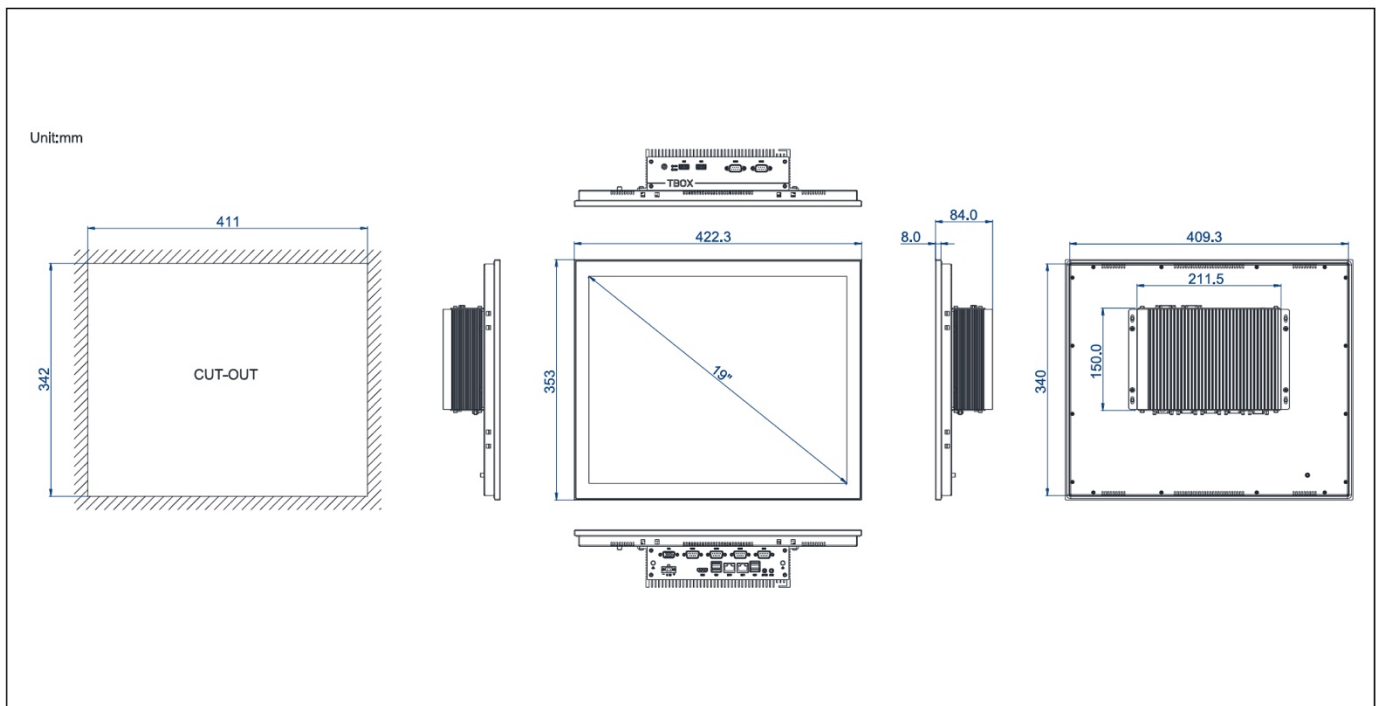
Technical Data

| Model Item | TPC-PC190C1 | TPC-PC190C2 |
|------------------|---|----------------------|
| System | | |
| BIOS | SPI AMI EFI BIOS | |
| CPU | Intel Baytrail J1900 | Intel Baytrail J1800 |
| CPU Ghz | Quad-core 2.0Ghz | Dual-core 2.4Ghz |
| Memory | SO-DIMM, DDR3L, Max. up to 8GB | |
| Graphic card | Intel HD Graphics Gen7 | |
| Network | 2*Intel I211AT, expansion with Wifi/3G/4G | |
| Storage | 1x 2.5" SATA + 1x mSATA | |
| Audio | Realtek ACL 282 controller | |
| Watch dog | Programmable 1~255 seconds | |
| Operating System | Win7, Win8, Win 10, Linux, Unix | |
| I/O | | |
| Network | 2x RJ45, 10/100/1000 Mbps | |
| USB | 4x USB 2.0 + 1x USB 3.0 | |
| COM | 6x RS232 (Surge and electrostatic protection) COM4/5 support RS232/RS485 COM6 support RS232/TTL | |
| Audio | Line-In, Line-Out | |
| Display | 1*VGA, 1*HDMI | |
| Power Input | 1*2 pins, phoenix terminal | |
| LCD | | |
| Size/Type | 19.0" TFT LCD | |
| Resolution | 1280 * 1024 (XGA) | |
| Brightness | 250 (cd/m ²) | |

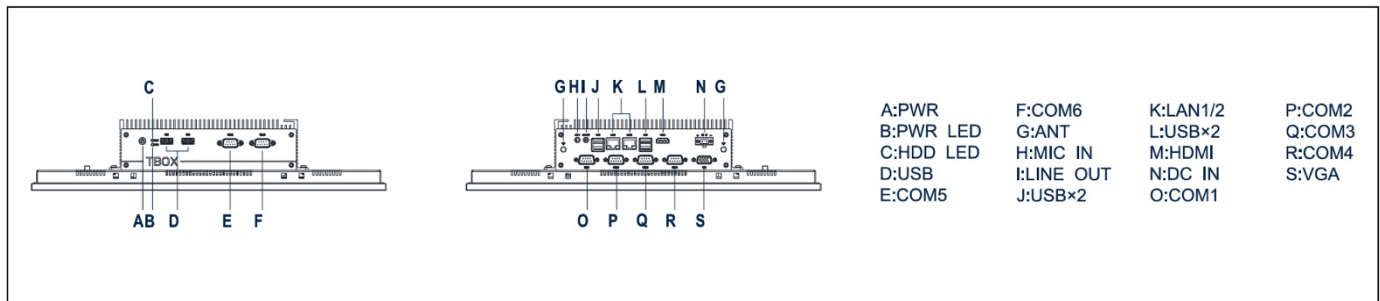
| | |
|---------------------------------|---|
| Brightness MTBF | WLED, 30 000 hours |
| Display area | 376.32 x 301.056 mm (H*V) |
| Viewing angle | 85/85/80/80 (Typ.) |
| TOUCH | |
| Type | Projective capacitive (P-cap.) |
| Interface | USB |
| Transparency | >90±3% |
| Touch points | 10 Points |
| Durability | >100 000 000 times |
| Surface hardness | Mohs 6H |
| Operating force | ≤10g |
| Special treatment | Anti-finger treatment (AF) |
| Optional Resistive touch | |
| Type | High-temp. precision 5 wires Resistive touch |
| Interface | USB (Optional RS232) |
| Transmittance | >80±3% |
| Resolution | 4096 x 4096 |
| Click life | 250g/ 35 000 000 times |
| Response time | <15ms |
| Operating force | ≤50g |
| Surface treatment | PET film laminated |
| Surface hardness | >Mohs 3H |
| Structure | |
| Front Panel | Magnesium-aluminum alloy, Anodizing treatment |
| Back Panel | SGCC Galvanized plate sheet, Sand-blasting |
| Cooling System | Finned aluminum heatsinks, fan-less design |
| IP rating | IP65 front panel |
| Mounting | Panel mounting, support VESA 75/100 |
| Hole dimension | 411 x 342 mm (W*H) |
| Product Dimension | 422.3 x 353 x 84 mm (W*H*D) |
| Net weight | 6 KG |
| Power and Environmental | |
| Voltage Input | DC 9~24V (Over-current, Over-voltage and reverse polarity protection) |
| Power Consumption | About 35 W |
| Working temperature | 0°C~+50 °C |

| | |
|---------------------|-----------------------------------|
| Storage temperature | -20℃~+60℃ |
| Relative humidity | 10~95%@10℃ (No condensation) |
| Vibration | 50~500Hz,1.5G,0.15mm peak to peak |
| Shock | 10G/peak (11ms sec) |

Dimension



I/O definition



Ordering Information

| | |
|-----------------|---|
| TPC-PC190C1 | 19.0", 1280*1024, Intel Baytrail J1900, 1*USB3.0+4*USB2.0, 6*RS232, PCAP TOUCH , 2*GLAN, DC 12V Adapter |
| TPC-PC190C2 | 19.0", 1280*1024, Intel Baytrail J1800, 1*USB3.0+4*USB2.0, 6*RS232, PCAP TOUCH , 2*GLAN, DC 12V Adapter |
| TPC-PR190C1 | 19.0", 1280*1024, Intel Baytrail J1900, 1*USB3.0+4*USB2.0, 6*RS232, Resistive TOUCH , 2*GLAN, DC 12V Adapter |
| TPC-PR190C2 | 19.0", 1280*1024, Intel Baytrail J1800, 1*USB3.0+4*USB2.0, 6*RS232, Resistive TOUCH , 2*GLAN, DC 12V Adapter |
| TPC-PG190C1 | 19.0", 1280*1024, Intel Baytrail J1900, 1*USB3.0+4*USB2.0, 6*RS232, No TOUCH , 2*GLAN, DC 12V Adapter |
| TPC-PG190C2 | 19.0", 1280*1024, Intel Baytrail J1800, 1*USB3.0+4*USB2.0, 6*RS232, No TOUCH , 2*GLAN, DC 12V Adapter |
| Memory | SO-DDR3L 2G/4G/8G |
| Storage | SSD: 16GB/32GB/64GB/128GB/256GB/512GB/1TB HDD: 500GB/1TB |
| Wireless module | WIFI: 802.11 b/g/n Mini PCIe 3G/4G/LTE: All network module |
| Bracket | TPC-PC Series VESA bracket |

TAICENN Technology

*TAICENN, is a leading global **solution provider** of Embedded Box IPC, Touch panel IPC and industrial monitor, which are designed specifically for systems and applications that require excellent performance, high-level reliability and stability, long supply period and supports.*

The information in this specification is subject to change without notice

All parts of TAICENN Technology documentation are protected by copyright law and all rights are reserved. This documentation may not, in whole or in part, be copied, photocopied, reproduced, translated, or reduced to any electronic medium or machine-readable form without prior consent, in writing, from TAICENN Technology.