

TAICENN

TPC-OPC150C1H

15.0" Intel Celeron J1900 **high brightness** P-CAP touch Open frame mounting

Panel PC

Specification

Version 2.0

Key features:

- 15.0-inch Projective capacitive multi-point touch;
- Intel Baytrail Celeron quad-core 2.0Ghz J1900 processor;
- Impact, fan-less design, Finned heat sink;
- Vertical display, high brightness 1000 nits, with light sensor;
- Open-frame mounting, optional with VESA bracket;
- Wide-temp range, support $-20^{\circ}\text{C}\sim+70^{\circ}\text{C}$;
- I/O: 2*GLAN, 5*USB, 6*RS232, 1*HDMI, 1*VGA

Brief Introduction

TAICENN TPC-OPC150C1H model is a **customized** low power-consumption, Fan-less designed, rich I/O interface, enhanced stability and reliability industrial 15.0-inch Touch Panel PC product, specially designed with high brightness 1000 nits and light sensor. It adapts Intel Baytrail Celeron J1900 processor. TPC-OPC150C1H series storage can support 2.5" SATA and mSATA interface SSD. The design uses a multi-point (10- points) projective capacitive touch screen, and it can fulfill front panel NEMA/IP65 dust-proof and water-proof standards.

The TPC-OPC150C1H uses full-sealed box construction, and it can prevent dust from entering the device system. In such a small limited dimension, TPC-OPC150C1H model is designed with 2*Intel GLAN, 5*USB (1*USB3.0), 6*COM (Optional with 1*RS232), the device is also optional with 3G/4G/LTE wireless expansion.

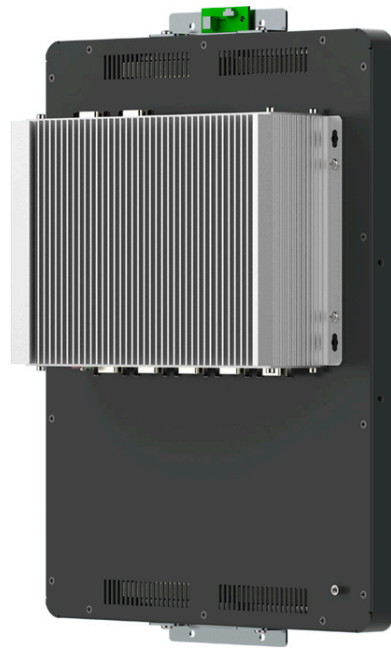
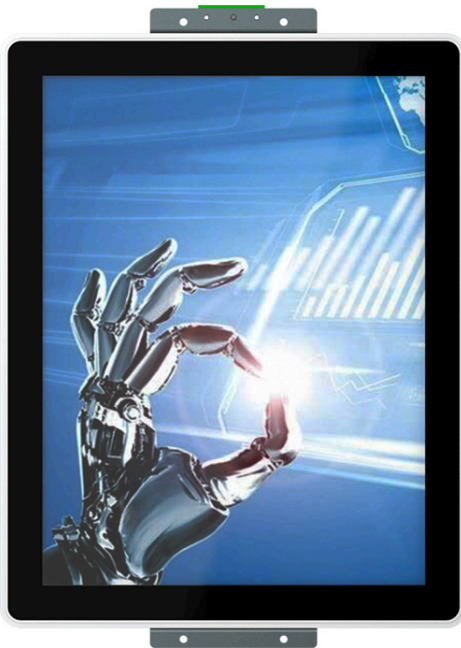
The TAICENN TPC-OPC150C1H is compatible with Win7, Win8, Win10, Linux, Unix OS, and it also has a good compatibility with customized applications and software programs.

Technical Data

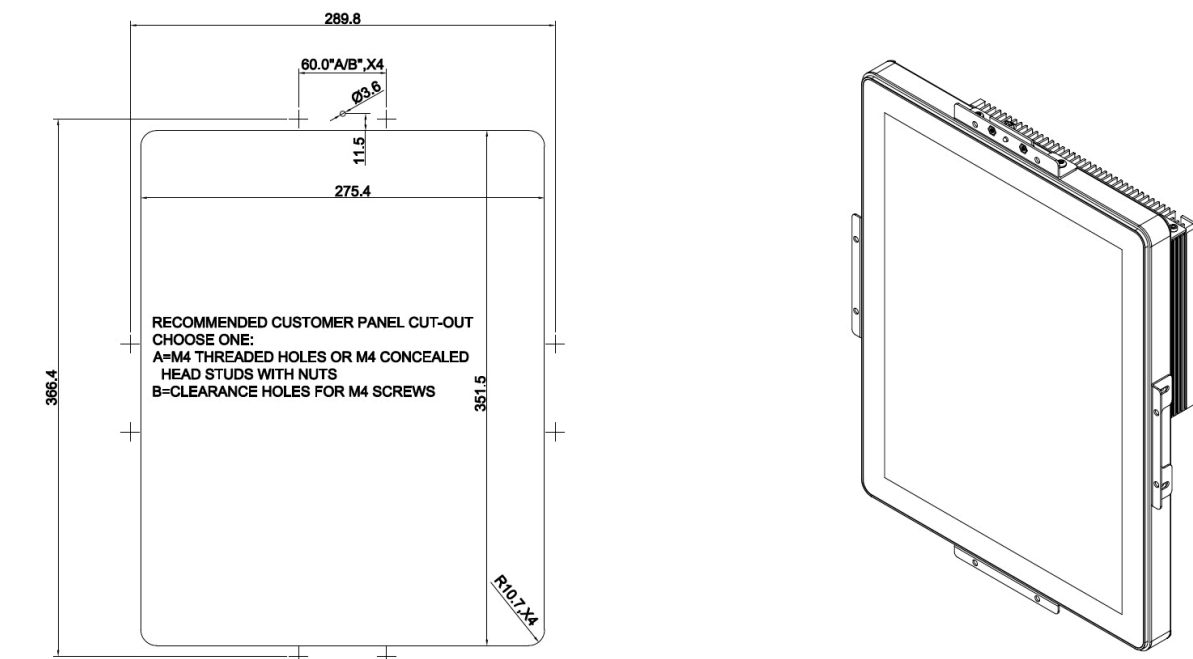
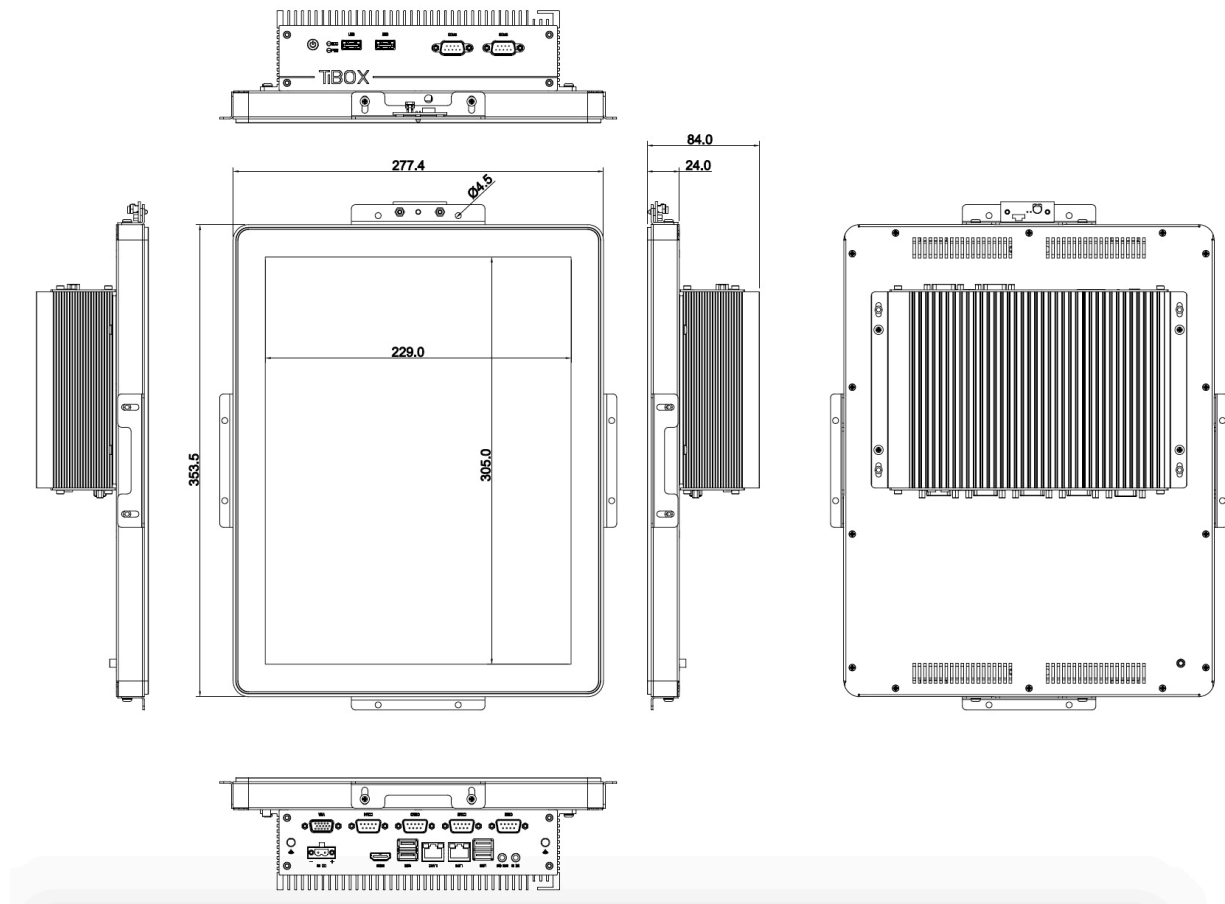
Model Item	TPC-OPC150C1H
System	
BIOS	SPI AMI EFI BIOS
CPU	Intel Baytrail J1900
CPU Ghz	Quad-core 2.0Ghz
Memory	SO-DIMM, DDR3L, Max. up to 8GB
Network	2*Intel I211AT, expansion with Wifi/3G/4G
Storage	1x 2.5" SATA + 1x mSATA
Audio	Realtek ACL 282 controller
Watch dog	Programmable 1~255 seconds
Operating System	Win7, Win8, Win 10, Linux, Unix
I/O	
Network	2x RJ45, 10/100/1000 Mbps
USB	4x USB 2.0 + 1x USB 3.0
COM	5x RS232 (Surge and electrostatic protection) 1x RS485
Audio	Line-In, Line-Out
Display	1*HDMI, 1*VGA
LCD	
Size/Type	15.0" TFT LCD
Resolution	1024 * 768
Brightness	Native 400 (cd/m ²); Max. up to 1000 nits, with light sensor
Brightness MTBF	WLED, 30 000 hours
Display area	229 x 305
Viewing angle	80/80/80/80 (Typ.)
TOUCH	
Type	Projective capacitive (P-cap.)
Interface	USB
Transparency	>90±3%
Touch points	10 Points
Durability	>100 000 000 times
Surface hardness	Mohs 6H
Operating force	≤10g
Special treatment	Anti-finger treatment (AF)

Structure	
Front Panel	Magnesium-aluminum alloy, Anodizing treatment
Back Panel	SGCC Galvanized plate sheet, Sand-blasting
Cooling System	Finned aluminum heatsinks, fan-less design
IP rating	IP65 front panel
Mounting	Open frame mounting
Hole dimension	369 x 275.4 (mm)
Product Dimension	277.4 x 353.5 x 84 (mm)
Net weight	4.5KG
Power and Environmental	
Voltage Input	DC 9~24 V (Over-current, Over-voltage and reverse polarity protection)
Power Consumption	About 20 W
Working temperature	-20°C~+70 °C
Storage temperature	-30°C~+80 °C
Relative humidity	10~95%@10°C (No condensation)
Vibration	50~500Hz,1.5G,0.15mm peak to peak
Shock	10G/peak (11ms sec)

Product Image



Dimension



Ordering Information

TPC-OPC150C1H	15.0", 1024*768, Intel Baytrail J1900, High brightness 1000 nits with light sensor, 1*USB3.0+4*USB2.0, 6*COM (1*RS485), PCAP touch, 2*GLAN, DC 12V Adapter
Memory	SO-DDR3L 2G/4G/8G
Storage	SSD: 16GB/32GB/64GB/128GB/256GB/512GB/1TB HDD: 500GB/1TB
Wireless module	WIFI: 802.11 b/g/n Mini PCIe 3G/4G/LTE: All network module
Bracket	VESA bracket

TAICENN Technology

*TAICENN, is a leading global **solution provider** of Embedded Box IPC, Touch panel IPC and industrial monitor, which are designed specifically for systems and applications that require excellent performance, high-level reliability and stability, long supply period and supports.*

The information in this specification is subject to change without notice

All parts of TAICENN Technology documentation are protected by copyright law and all rights are reserved. This documentation may not, in whole or in part, be copied, photocopied, reproduced, translated, or reduced to any electronic medium or machine-readable form without prior consent, in writing, from TAICENN Technology.